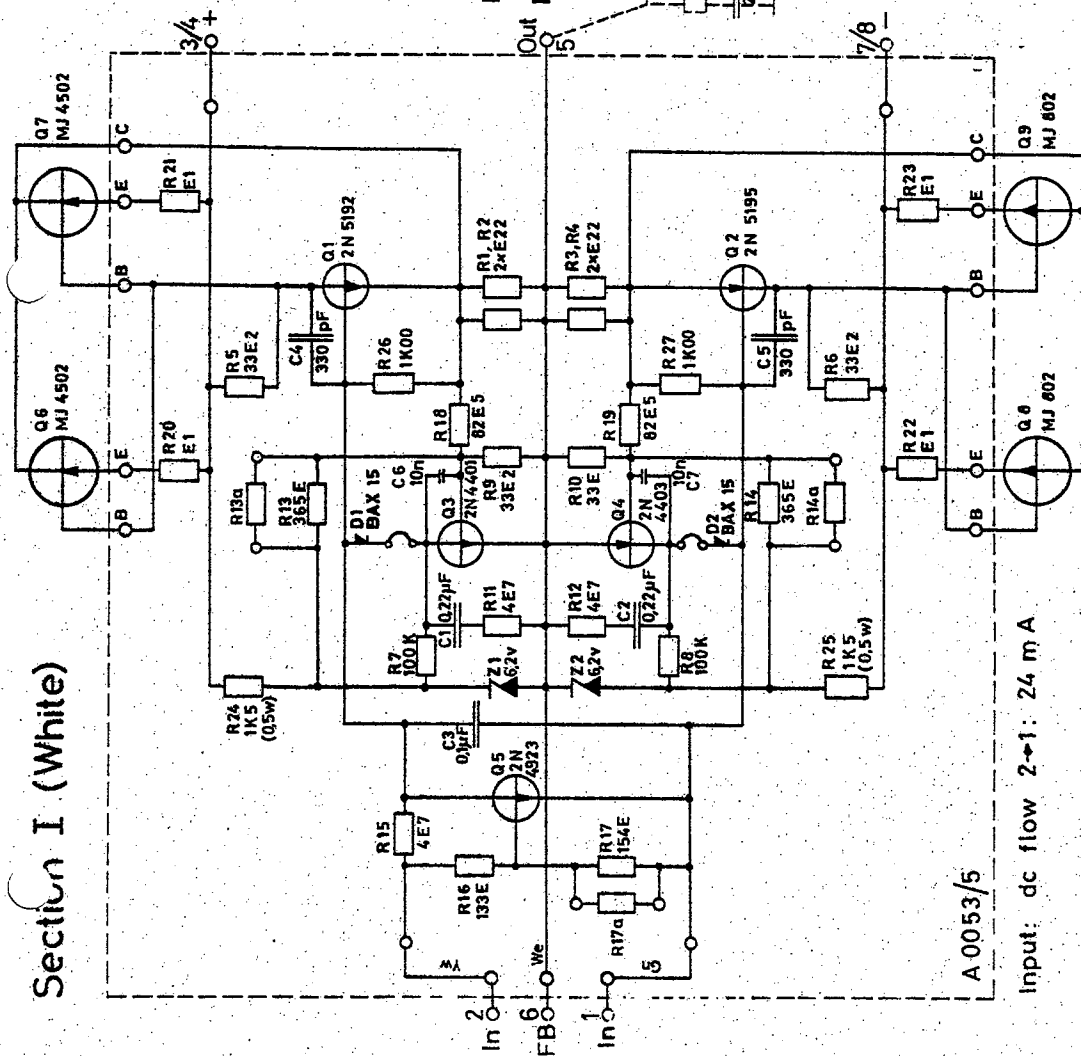
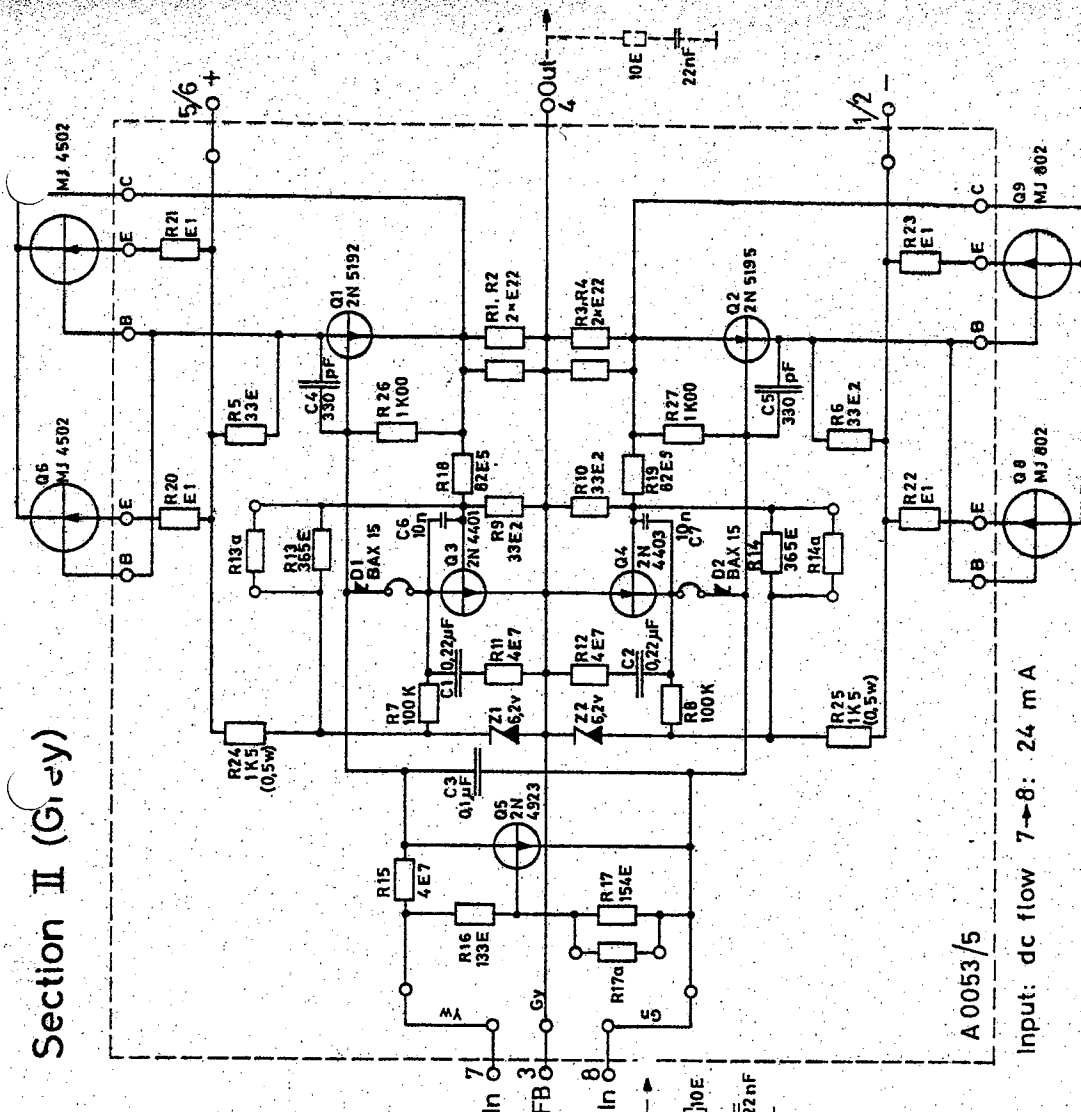


### Section I (White)



Input: dc flow 2→1: 24 mA

### Section II (Grey)



Input: dc flow 7→8: 24 mA

- Note 1 Supply voltage  $\pm 40V$ , should be decoupled to ground near the power unit through  $0.47\mu F$  capacitors near unit.
- Note 2 Quiescent current through output transistors  $125 mA \pm 25 mA$ . (Voltage between collectors Q7 and Q9:  $27.5 mV \pm 5.5$ )

A0061